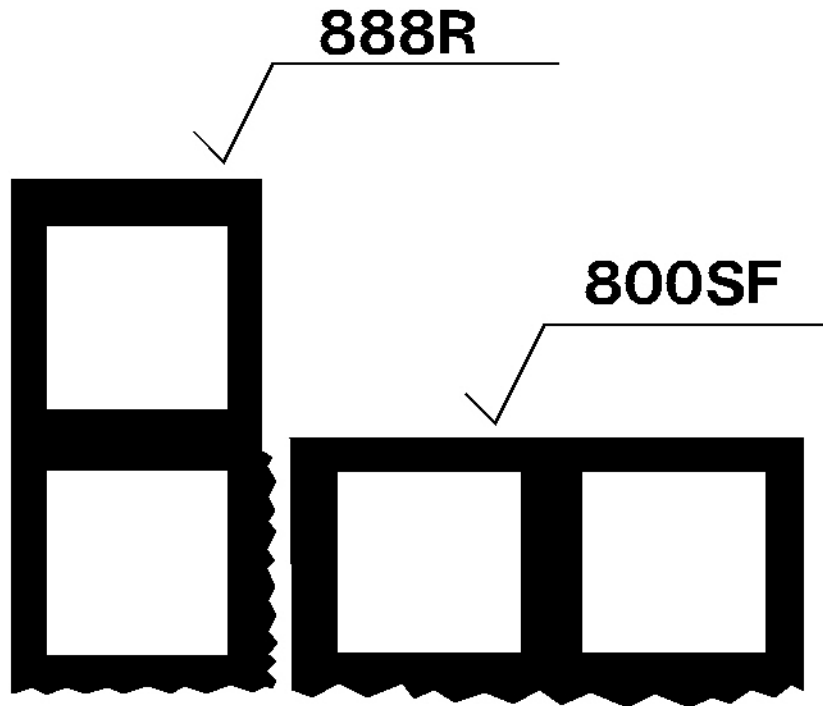
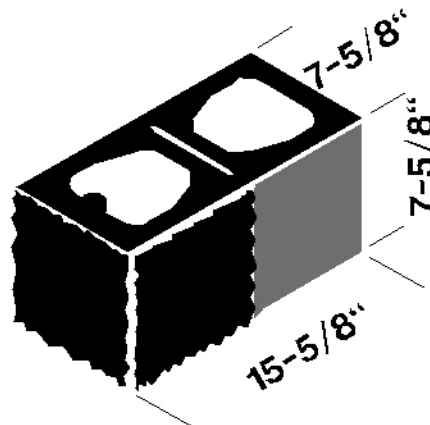


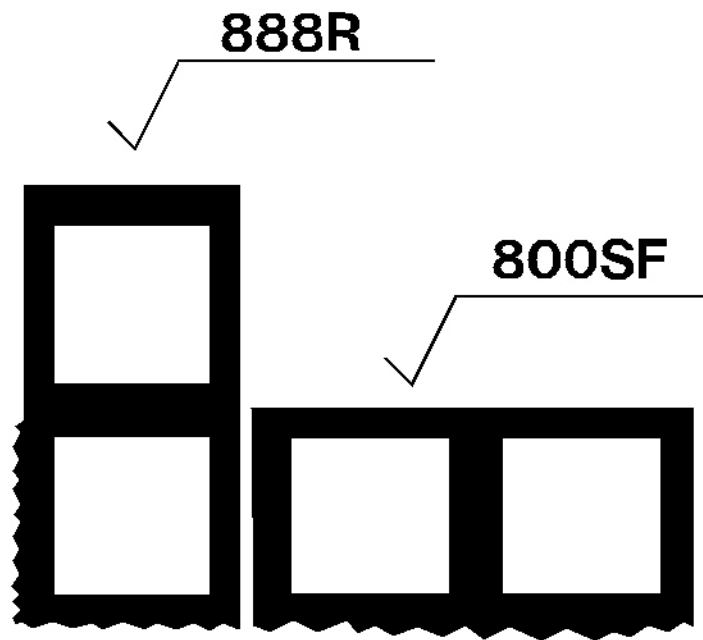
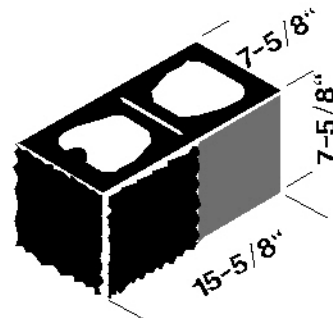
Split Face to Smooth Transition using 888R

888R Patent Pending



**8x8x16 Half Split
Half Smooth Return**

The 888R Half Split and Half Smooth Return corner allows the mason to transition from a split face wall to a smooth wall by turning the half split portion of the block in as shown in the drawing. This is the only way of making this transition while maintaining the smooth texture of the inside wall.

Split Face To Smooth Transition with 8" Split Wrap**888R Patent Pending****8x8x16 Half Split
Half Smooth Return**

The 888R Half Split and Half Smooth Return corner allows the mason to easily transition from a split face wall to a smooth wall with an 8" split return on the corner of the smooth wall. This is the only block that allows this detail without cutting a standard split return corner for the half return corner split.